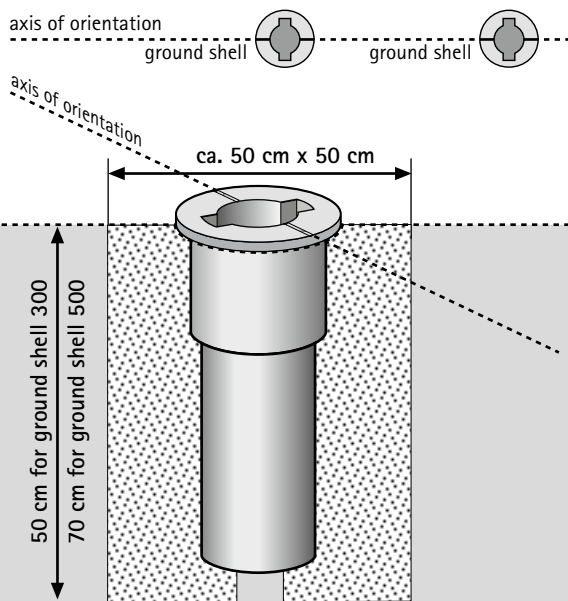


## Assembly instructions for bollards and other products with 3p-Technology

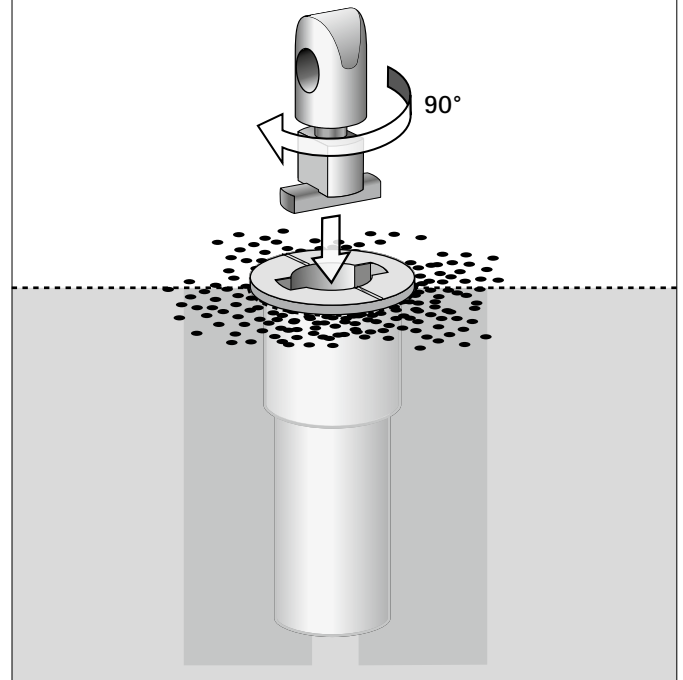
### 1 SETTING THE GROUND SHELL IN CONCRETE

- Dig a square hole for the base
- **Size depends on soil quality** **▲**
- Make provisions for a water drain in the base
- Lay the ground shell flush with the ground
- Position the ground shell horizontally
- Align the notches in the surface of the ground shells



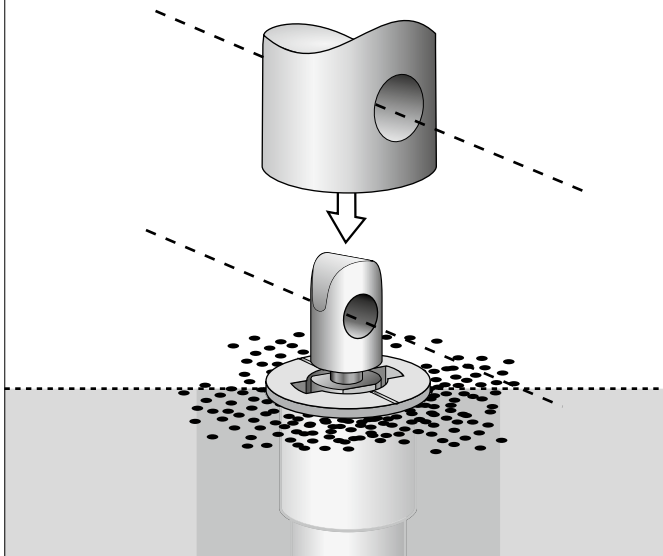
### 2 INSERTING THE JUNCTION PIECE

- Insert the junction piece into the ground shell
- Rotate the junction piece in the groove by 90° (*no block*)



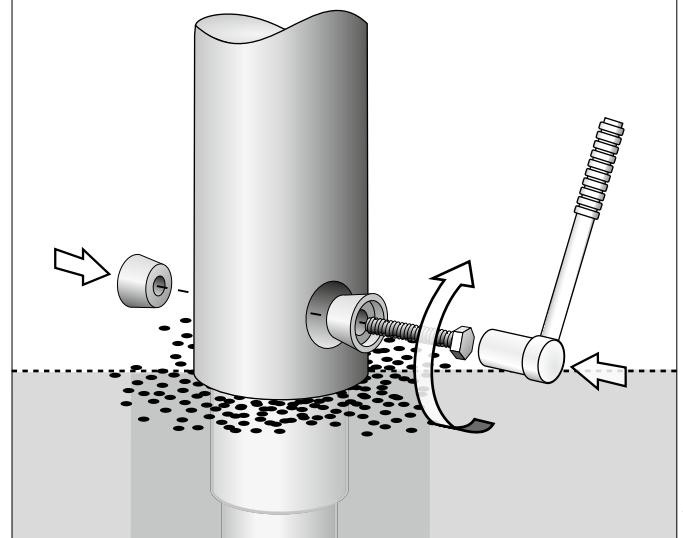
### 3 ASSEMBLING THE BOLLARD

- Place the bollard on the junction piece
- Align the holes in the bollard and junction piece with one another



### 4 FASTENING THE BOLLARD

- Insert the clamping cone set provided (*triangular or hexagonal head screws*)
- Screw bollard tightly

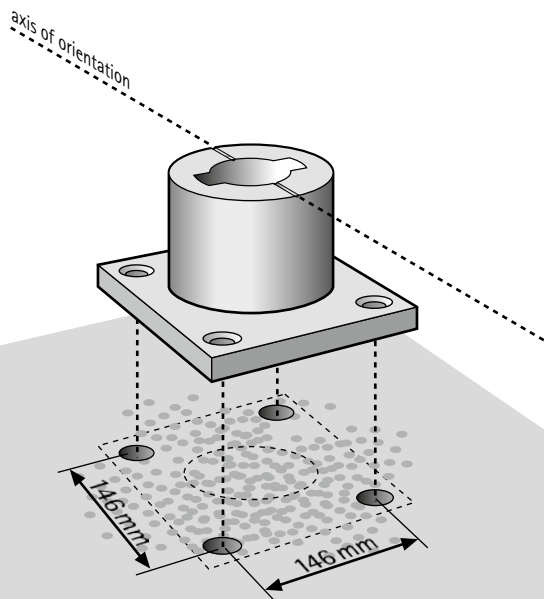
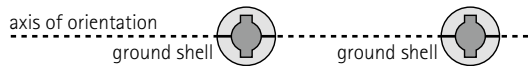


05/2017

## Assembly instructions for bollards and other products with 3p-Technology

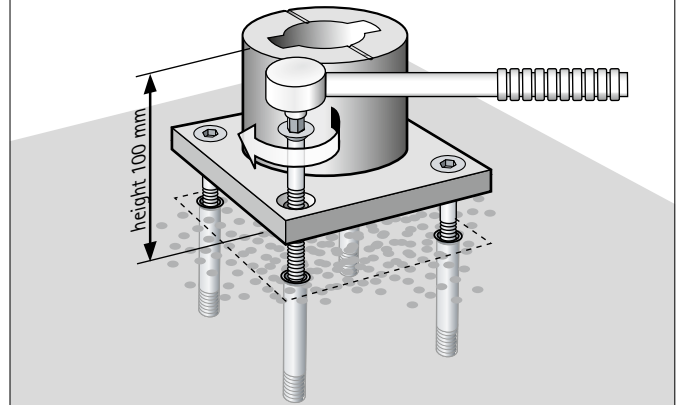
### 1 CREATING THE SUBSURFACE

- Create a suitable, even subsurface
- Drill four holes for stud bolts ( $\geq M10$ )  
(*bolt depth  $\geq 70$  mm*)
- Align the notches in the surface of the ground shells



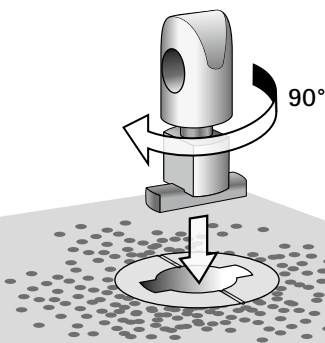
### 2 ASSEMBLING THE GROUND SHELL

- Position the ground shell surface horizontally
- Screw the ground shell in tightly
- Ensure the upper edge of the ground shell is flush with the ground (*e.g.: setting in concrete, plaster, bitumen*)



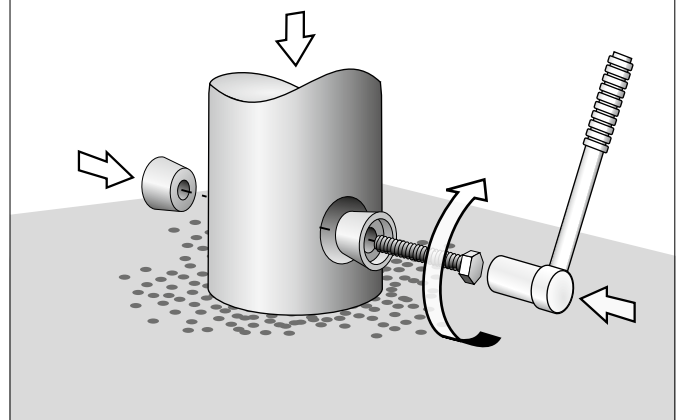
### 3 INSERTING THE JUNCTION PIECE

- Insert the junction piece into the ground shell's groove
- Rotate the junction piece in the groove by 90°  
(*no block*)



### 4 ASSEMBLING AND FASTENING THE BOLLARD

- Place the bollard on the junction piece
- Align the holes in the bollard and junction piece with one another
- Insert the clamping cone set provided  
(*triangular or hexagonal head screws*)
- Screw bollard tightly



05/2017

## Dismantling bollards without separating the individual parts

**1 LOOSEN CLAMPING BOLT**

- Only loosen the screw in the clamping cone until the clamping cone set becomes loose
- If necessary, move the bollard around a bit so that firmly fixed parts can be loosened

**2 ROTATE BOLLARD WITH JUNCTION PIECE**

- Rotate the bollard  $90^\circ$  and pull slightly upwards until it gives noticeably more

**3 REMOVE BOLLARD WITH JUNCTION PIECE**

- Lift the bollard and junction piece out of the ground shell

**4 REASSEMBLE GROUND SHELL COVER OR BOLLARD**

- Insert the ground shell cover into the ground shell's groove and press down
- Or reassemble the bollard with junction piece in reverse order